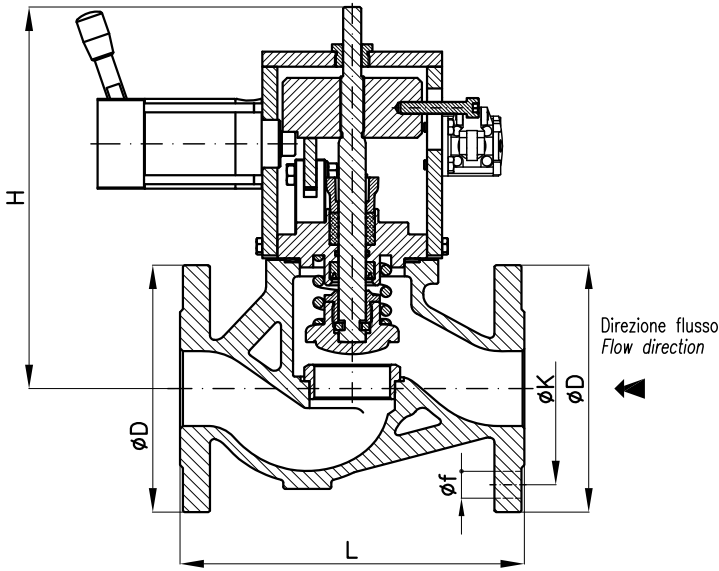
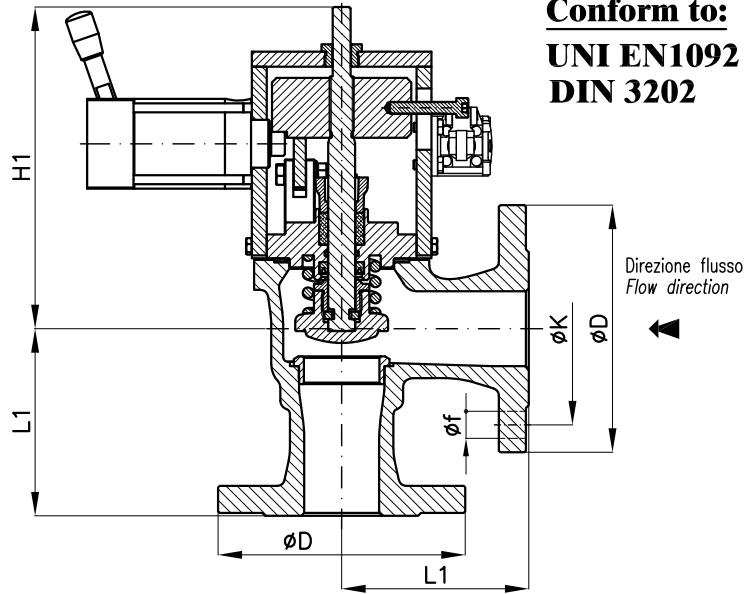




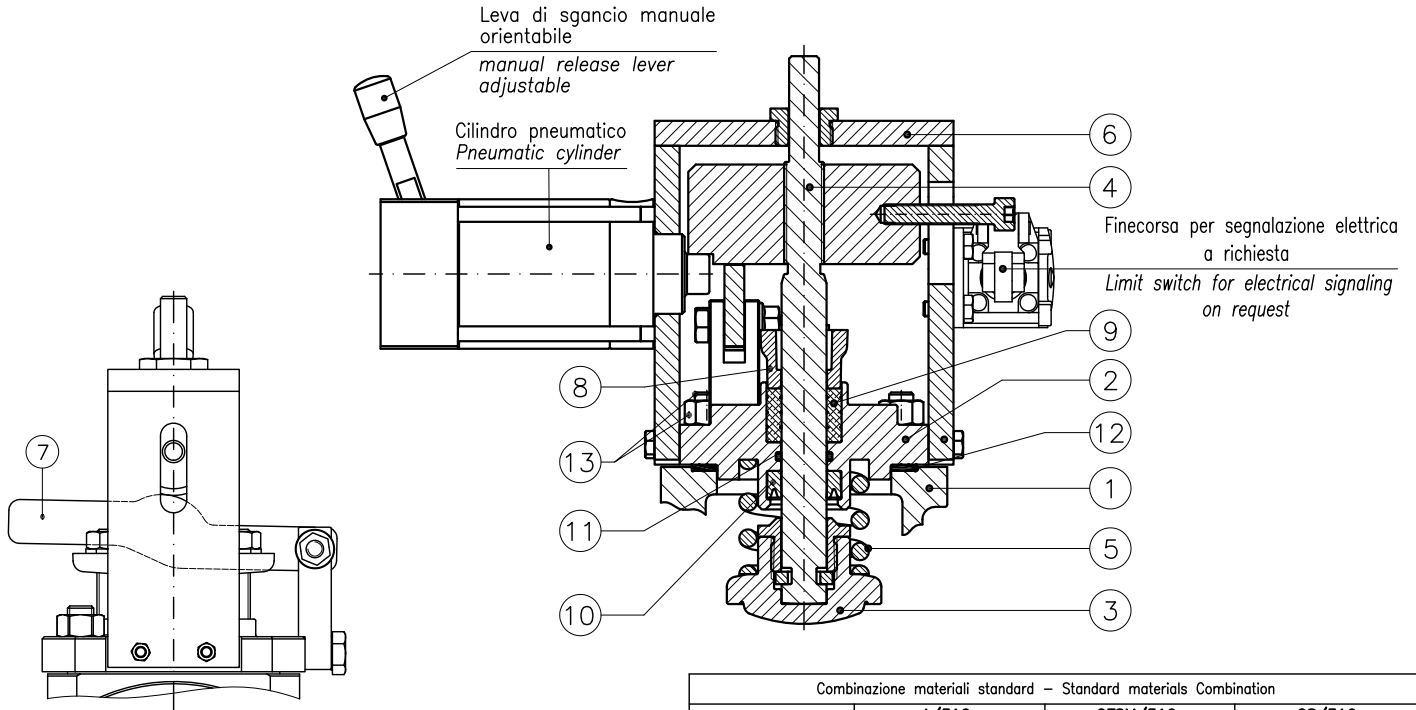
Conform to:
UNI EN1092
DIN 3202



Tab. 132.1 IRP-PN



Tab. 132.2 IRP-PN



N.B.: Prolunga per leva di riarmo (da inserire su leva 7) fissata al coperchio e in dotazione ad ogni valvola

N.B.: Extension for release lever (insert on lever 7) fixed to the bonnet and supplied with each valve

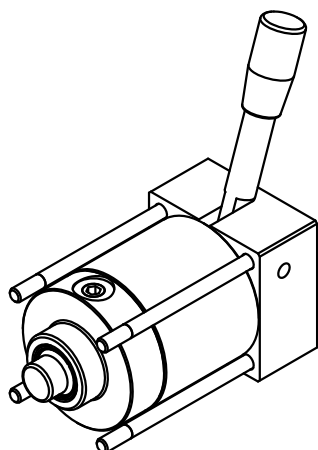
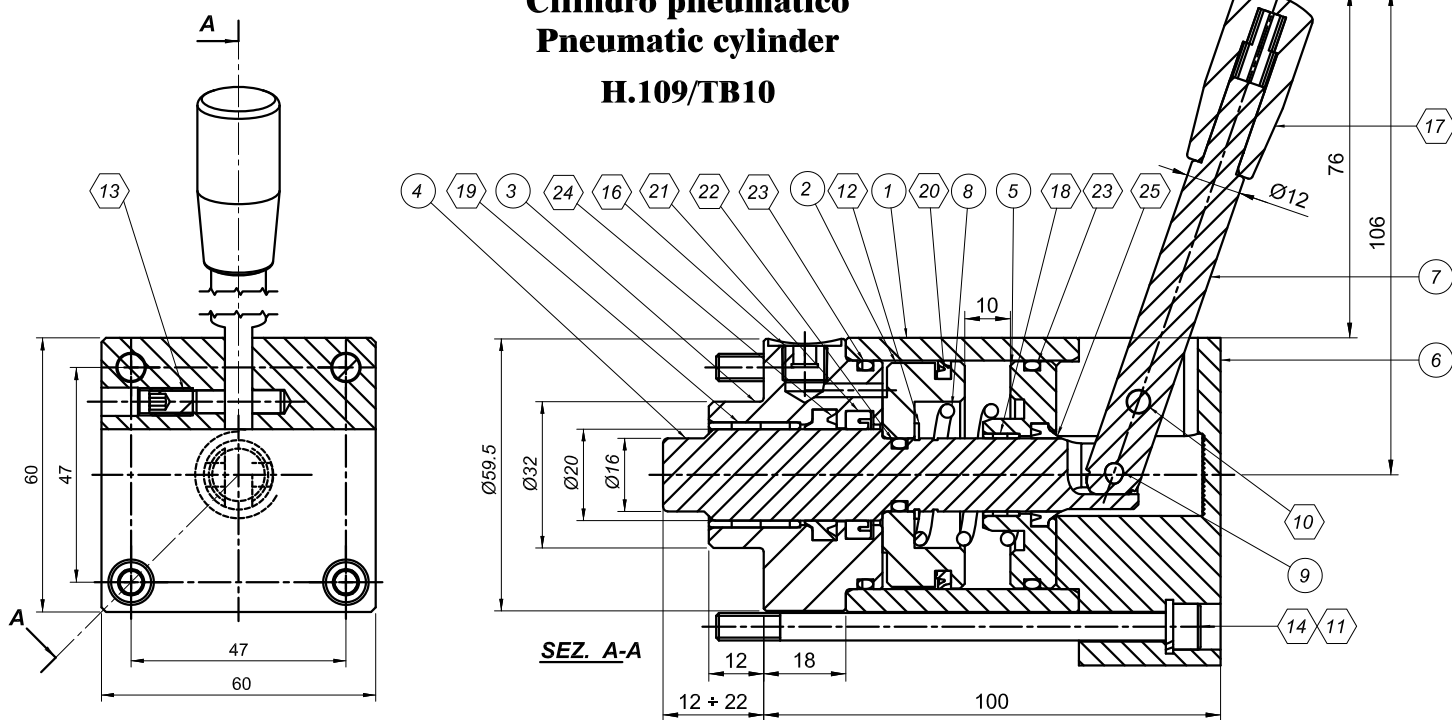
DN	H (Aperto) (~)	PN6				PN16						
		L	H1 (Aperto) (~)	L1	D	K	f	Holes NO. f	D	K	f	Holes NO. f
20	205	150	185	85	90	65	11	4	105	75	14	4
25	210	160	190	90	100	75	11	4	115	85	14	4
32	240	180	215	105	120	90	14	4	140	100	18	4
40	250	200	245	115	130	100	14	4	150	110	18	4
50	260	230	220	125	140	110	14	4	165	125	18	4
65	285	290	250	145	160	130	14	4	185	145	18	4
80	310	310	270	155	190	150	18	4	200	160	18	8
100	345	350	285	175	210	170	18	4	220	180	18	8
125	365	400	300	200	240	200	18	8	250	210	18	8
150	385	480	335	225	265	225	18	8	285	240	22	8
200	535	600	425	275	320	280	18	8	340	295	22	12

Combinazione materiali standard – Standard materials Combination				
ITEM	DENOMINAZIONE DENOMINATION	A/316 MATERIALE MATERIAL	CF8M/316 MATERIALE MATERIAL	GS/316 MATERIALE MATERIAL
01	Body	Cast steel GP240-GH UNI EN10213	Stainless steel CF8M ASTM A351	Nodular cast iron EN-GJS-400-15U UNI EN1563
02	Bonnet	Carbon Steel UNI EN10025	Stainless steel AISI316 UNI EN10088	Carbon Steel UNI EN10025
03	Disc (≤ DN80)	Stainless steel AISI316 UNI EN10088	Stainless steel AISI316 UNI EN10088	Stainless steel AISI316 UNI EN10088
03	Disc (≥ DN100)	Cast steel GP240-GH UNI EN10213 Plus AISI316 facing welding	Stainless steel CF8M ASTM A351	Cast steel GP240-GH UNI EN10213 Plus AISI316 facing welding
04	Stem	Stainless steel AISI316 UNI EN10088	Stainless steel AISI316 UNI EN10088	Stainless steel AISI316 UNI EN10088
05	Spring	Steel UNI EN10270	Stainless steel AISI316 UNI EN10151	Steel UNI EN10270
06	Bracket	Steel UNI EN10025	Steel UNI EN10025	Steel UNI EN10025
07	Release lever	Steel UNI EN10025	Steel UNI EN10025	Steel UNI EN10025
08	Gland bushing	Brass CW509L (OT60)	Brass CW509L (OT60)	Brass CW509L (OT60)
09	Packing	Kevlar graphite KGL	Kevlar graphite KGL	Kevlar graphite KGL
10	Seal ring	NBR	NBR	NBR
11	OR Gasket	Viton	Viton	Viton
12	Gasket	Planiflex KG carbo/C PF81	Planiflex KG carbo/C PF81	Planiflex KG carbo/C PF81
13	Nuts and Bolts	Galvanized Steel 8.8 EN20898-1	Stainless steel BBM/Gr.8M	Galvanized Steel 8.8 EN20898-1

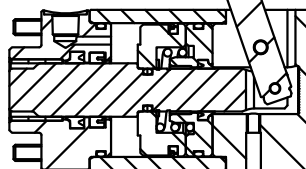
Nota: Combinazioni materiali non standard a richiesta
 Note: Non standard materials combinations on request



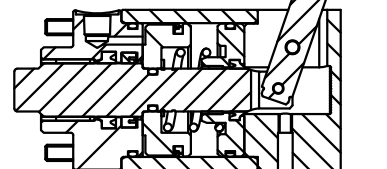
Cilindro pneumatico
Pneumatic cylinder
H.109/TB10



Pistone avanti
Forward piston



Pistone indietro
Back piston



Pos.	Codice/Code	Descrizione	Description	N°
1	H.109.0-06/B	CANNA Ø50/60X51 PER H.109/TB10	HOUSING	1
2	H.109.0-41	PISTONE Ø49.7/16X18	PISTON	1
3	H.109.0-42	FLANGIA A SALDARE Ø60/22X38	WELDED FLANGE	1
4	H.109.0-43	ASTA Ø20X104 PER H.109/TB10	ROD	1
5	H.109.0-45	FLANGIA INTERMEDIA Ø49.7/17X16	MIDDLE FLANGE	1
6	H.109.0-47	SUPPORTO LEVA 60X60X36	LEVER SUPPORT	1
7	H.109.0-48	LEVA Ø12X95	LEVER	1
8	H.603.0-15	MOLLA	SPRING	1
9C	C.1707.04X015	SPINA CILINDRICA D4X15 - UNI 6364 A	CIL.PIN	1
10C	C.1707.05X020	SPINA CILINDRICA D5X20 - UNI 6364 A	CIL.PIN	1
11C	C.1751.06AA	RONDELLA ELASTICA D6 INOX	SPRING WASHER	4
12C	C.3653.016	ANELLO SEEGER E 16	EXT.CIRCLIP	1
13C	C.5923.06.A10	VITE S.T.E.I. M6X10 A2	HEX.SOCKET SET SCREW	1
14C	C.5931.06.A99	VITE T.C.E.I. M6X100 INOX A4	HEX.SOCKET HEAD CAP SCREW	4
16C	C.DIN906.1/8G	TAPPO 1/8 GAS CONICO Z.B.	HEX.SOCKET PIPE PLUG	1
17C	C.I580/40-N8	IMPUGNATURA D18X40 FORO D8	CYLINDRICAL FIXED HANDLES	1
18C	CC.PAP1608P10	BOCCOLA D16XD18X08 P10	BUSHING	1
19C	CC.PAP2020P10	BOCCOLA D20XD23X20 P10	BUSHING	1
20C	CG.NAP14205	GUARNIZIONE POLIUR.D50XD42X3.3	PISTON SEAL	1
21C	CG.NI06240	GUARNIZ. STELO D28XD20X5.5	ROD SEAL	1
22C	CG.OR2.01078	GUARNIZ. OR 3043/111	O-RING	1
23C	CG.OR2.04569	GUARNIZ. OR 3181/133	O-RING	2
24C	CG.UWR078110	ANELLO RASCHIATORE D20-RSW 20	WIPER RING	1
25C	CG.WRM062087	ANELLO RASCHIATORE D16	WIPER RING	1