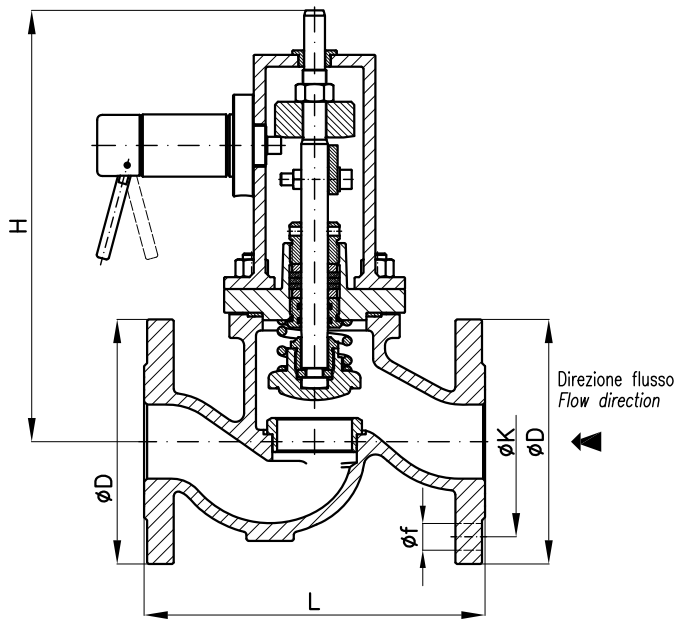
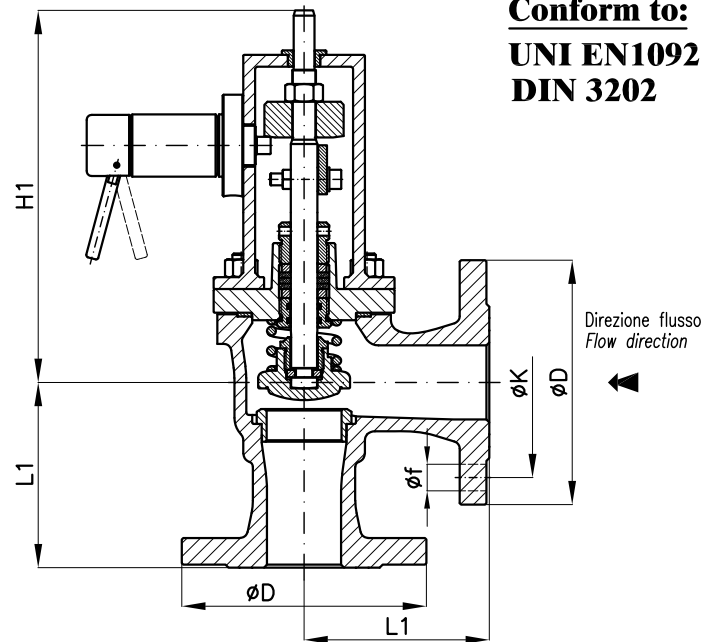




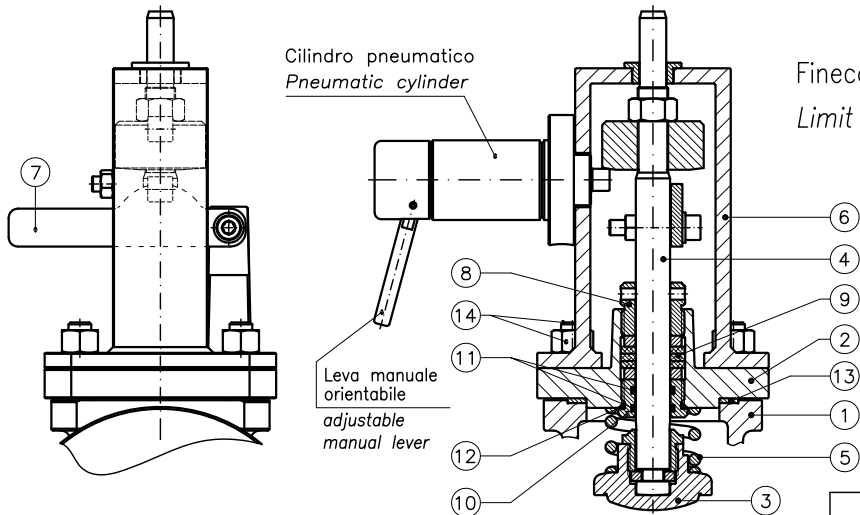
Conform to:
UNI EN1092
DIN 3202



Tab. 132.1 IRP-PN



Tab. 132.2 IRP-PN



Finecorsa per segnalazione elettrica a richiesta
Limit switch for electrical signaling on request

N.B.: Prolunga per leva di riarmo (da inserire su leva 7) fissata al coperchio e in dotazione ad ogni valvola

N.B.: Extension for release lever (insert on lever 7) fixed to the bonnet and supplied with each valve

| DN | H (Aperta) (~) | H1 (Aperta) (~) | L | L1 | PN6 | | | | PN16 | | | |
|-----|----------------------|-----------------------|-----|-----|-----|-----|----|-------------|------|-----|----|-------------|
| | | | | | D | K | f | Holes NO. f | D | K | f | Holes NO. f |
| 20 | 260 | 230 | 150 | 85 | 90 | 65 | 11 | 4 | 105 | 75 | 14 | 4 |
| 25 | 260 | 235 | 160 | 90 | 100 | 75 | 11 | 4 | 115 | 85 | 14 | 4 |
| 32 | 275 | 240 | 180 | 105 | 120 | 90 | 14 | 4 | 140 | 100 | 18 | 4 |
| 40 | 280 | 245 | 200 | 115 | 130 | 100 | 14 | 4 | 150 | 110 | 18 | 4 |
| 50 | 290 | 250 | 230 | 125 | 140 | 110 | 14 | 4 | 165 | 125 | 18 | 4 |
| 65 | 295 | 260 | 290 | 145 | 160 | 130 | 14 | 4 | 185 | 145 | 18 | 4 |
| 80 | 355 | 300 | 310 | 155 | 190 | 150 | 18 | 4 | 200 | 160 | 18 | 8 |
| 100 | 405 | 340 | 350 | 175 | 210 | 170 | 18 | 4 | 220 | 180 | 18 | 8 |
| 125 | 425 | 360 | 400 | 200 | 240 | 200 | 18 | 8 | 250 | 210 | 18 | 8 |
| 150 | 445 | 380 | 480 | 225 | 265 | 225 | 18 | 8 | 285 | 240 | 22 | 8 |
| 200 | 490 | 425 | 600 | 275 | 320 | 280 | 18 | 8 | 340 | 295 | 22 | 12 |

| Combinazione materiali standard - Standard materials Combination | | | |
|------------------------------------------------------------------|-------------------------------|----------------------------------------------------------------|----------------------------------------------------------------|
| ITEM | DENOMINAZIONE DENOMINATION | A/316 MATERIALE MATERIAL | GS/316 MATERIALE MATERIAL |
| 01 | Body | Cast steel GP240-GH UNI EN10213 | Nodular cast iron EN-GJS-400-15U UNI EN1563 |
| 02 | Bonnet | Nodular cast iron EN-GJS-400-15U UNI EN1563 | Nodular cast iron EN-GJS-400-15U UNI EN1563 |
| 03 | Disc (≤ DN80) | Stainless steel AISI316 UNI EN10088 | Stainless steel AISI316 UNI EN10088 |
| 03 | Disc (≥ DN100) | Cast steel GP240-GH UNI EN10213 Plus AISI316 facing welding | Cast steel GP240-GH UNI EN10213 Plus AISI316 facing welding |
| 04 | Stem | Stainless steel AISI316 UNI EN10088 | Stainless steel AISI316 UNI EN10088 |
| 05 | Spring | Steel UNI EN10270 | Steel UNI EN10270 |
| 06 | Bracket | Steel UNI EN10025 | Steel UNI EN10025 |
| 07 | Release lever | Steel UNI EN10025 | Steel UNI EN10025 |
| 08 | Stuffing box | Steel UNI EN10025 | Steel UNI EN10025 |
| 09 | Packing | Kevlar graphite KGL | Kevlar graphite KGL |
| 10 | Gland | AVP Steel UNI EN10277 | AVP Steel UNI EN10277 |
| 11 | OR Gasket | Viton | Viton |
| 12 | OR Gasket | NBR | NBR |
| 13 | Gasket | Planiflex KG carbo/C PF81 | Planiflex KG carbo/C PF81 |
| 14 | Nuts and Bolts | Galvanized Steel 8.8 EN20898-1 | Galvanized Steel 8.8 EN20898-1 |

Nota: Combinazioni materiali non standard a richiesta
 Note: Non standard materials combinations on request