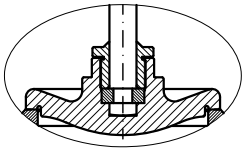


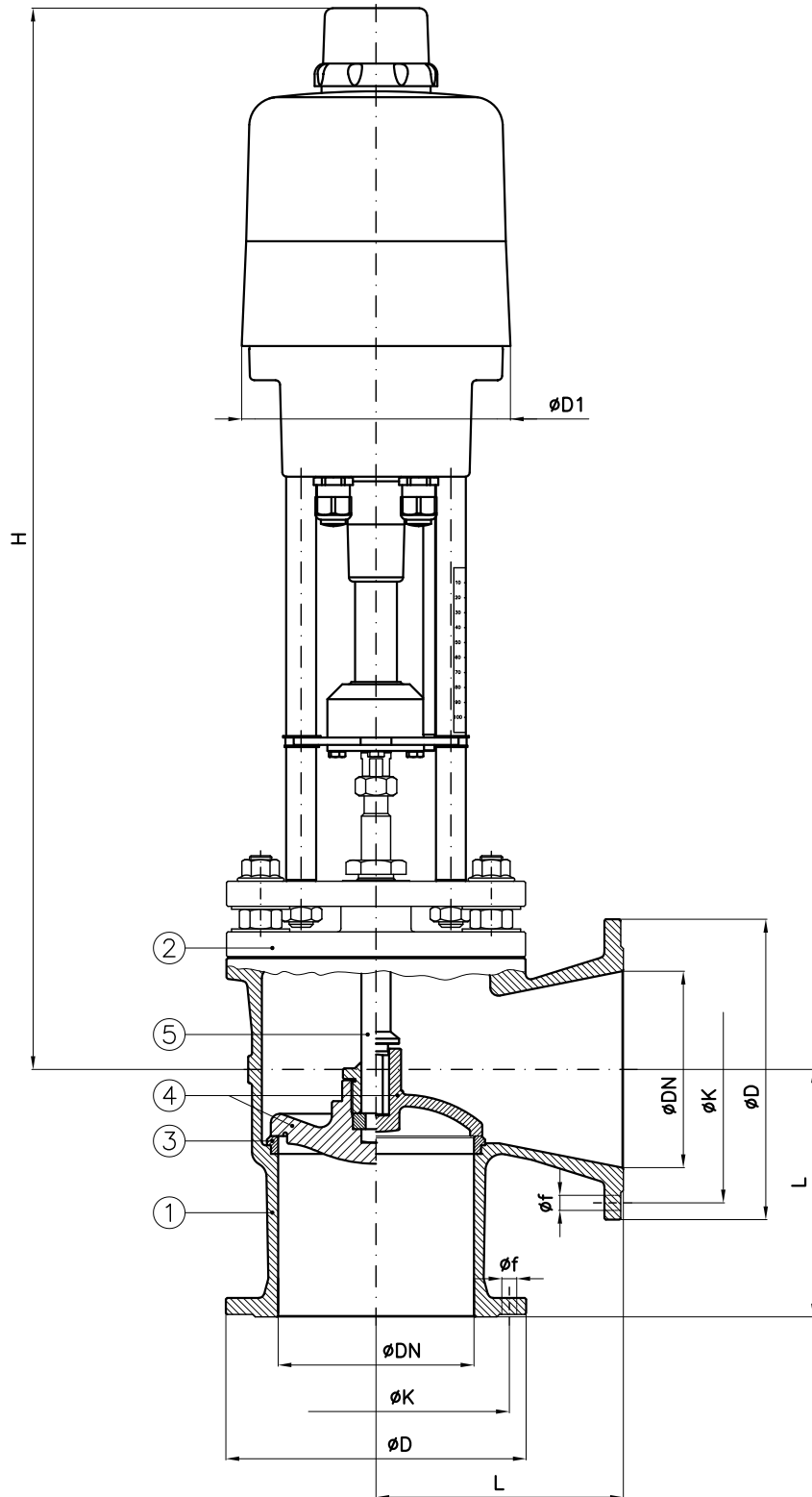
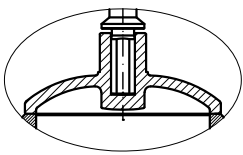


Conform to:
UNI EN1092
DIN 3202

Esecuzione comandata
 SDSL type



Esecuzione semiautomatica
 SDNR type



DN	D1	H (~)	L	D	K	f	Holes NO. f	Electric motor
40	180	630	115	150	110	18	4	PSL-210
50	180	630	125	165	125	18	4	PSL-210
65	180	645	145	185	145	18	4	PSL-210
80	180	715	155	200	160	18	8	PSL-214
100	250	865	175	220	180	18	8	PSL-320
125	250	885	200	250	210	18	8	PSL-325
150	250	895	225	285	240	22	8	PSL-330

Combinazione materiali standard - Standard materials Combination					
ITEM	DENOMINAZIONE DENOMINATION	A/316 MATERIALE MATERIAL	B/316 MATERIALE MATERIAL	B/B MATERIALE MATERIAL	GS/316 MATERIALE MATERIAL
01	Body	Cast steel GP240-GH UNI EN10213	Bronze UNI EN1982 G-CuSn5Zn5Pb5	Bronze UNI EN1982 G-CuSn5Zn5Pb5	Nodular cast iron EN-GJS-400-15U UNI EN1563
02	Bonnet	Cast steel GP240-GH UNI EN10213	Bronze UNI EN1982 G-CuSn5Zn5Pb5	Bronze UNI EN1982 G-CuSn5Zn5Pb5	Nodular cast iron EN-GJS-400-15U UNI EN1563
03	Body seat	Stainless steel AISI316 UNI EN10088	Bronze UNI EN1982 G-CuSn5Zn5Pb5	Bronze UNI EN1982 G-CuSn5Zn5Pb5	Stainless steel AISI316 UNI EN10088
04	Disc (< DN80)	Stainless steel AISI316 UNI EN10088	Stainless steel AISI316 UNI EN10088	Bronze UNI EN1982 G-CuSn5Zn5Pb5	Stainless steel AISI316 UNI EN10088
04	Disc (>= DN100)	Cast steel GP240-GH UNI EN10213 plus AISI316 facing welding	Stainless steel AISI316 UNI EN10088	Bronze UNI EN1982 G-CuSn5Zn5Pb5	Cast steel GP240-GH UNI EN10213 plus AISI316 facing welding
05	Stem	Stainless steel AISI316 UNI EN10088	Stainless steel AISI316 UNI EN10088	Stainless steel AISI316 UNI EN10088	Stainless steel AISI316 UNI EN10088

Combinazioni materiali non standard a richiesta
 Note: Non standard materials combinations on request