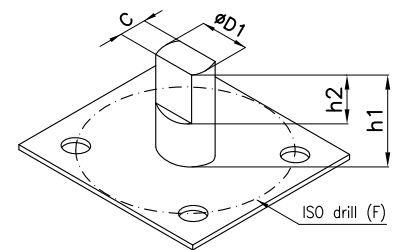
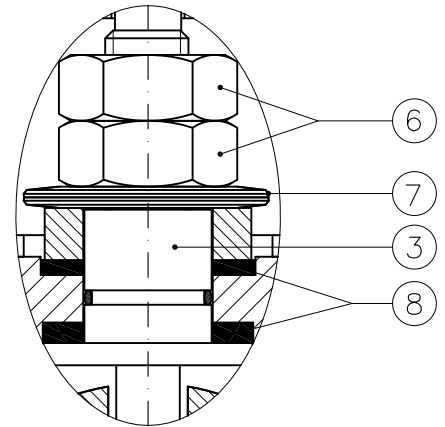


DETAIL - DETTAGLIO "A"



DN	D1xC	h1	h2	ISO-F	
15	1/2"	10x5.5	23	10	F03
20	3/4"	12x7.5	29	11	F04
25	1"	12x7.5	28	12	F04
32	1"1/4	14x9	45	18	F05
40	1"1/2	14x9	44	19	F05
50	2"	14x9	46	17	F05

ITEM	DENOMINAZIONE DENOMINATION	A/316 MATERIALE MATERIAL	316/316 MATERIALE MATERIAL
01	Body	Forged steel ASTM A105N	Stainless steel AISI316 UNI EN10088
02	Lateral	Forged steel ASTM A105N	Stainless steel AISI316 UNI EN10088
03	Stem	Stainless steel AISI316 UNI EN10088	Stainless steel AISI316 UNI EN10088
04	Ball	Stainless steel AISI316/304 UNI EN10088	Stainless steel AISI316 UNI EN10088
05	Seat	PTFE/RPTFE	PTFE/RPTFE
06	Nuts	Galvanized Steel 8.8 EN20898-1	Galvanized Steel 8.8 EN20898-1
07	Socket springs	Galvanized Steel	Galvanized Steel
08	Stem seals	RPTFE	RPTFE

Nota: Combinazioni materiali non standard a richiesta
Note: Non standard materials combinations on request

Le taglie degli attuatori devono essere verificate in funzione della pressione di esercizio della valvola e della pressione dell'olio del circuito idraulico.

The size of the actuator must be checked on the strength of the working pressure of the valve and on the strength of the oil pressure inside the hydraulic circuit.

DN	ϕE	H	L	Weight (Kg)	ATTUATORE ACTUATOR
1/2"	14	405	75	14.5	H.927 (RS.10)
3/4"	19	410	90	15.5	H.927 (RS.10)
1"	25	415	100	16.5	H.927 (RS.10)
1"1/4	32	420	115	18	H.927 (RS.10)
1"1/2	38	425	128	18.5	H.927 (RS.10)
2"	48	430	147	20	H.927 (RS.10)